

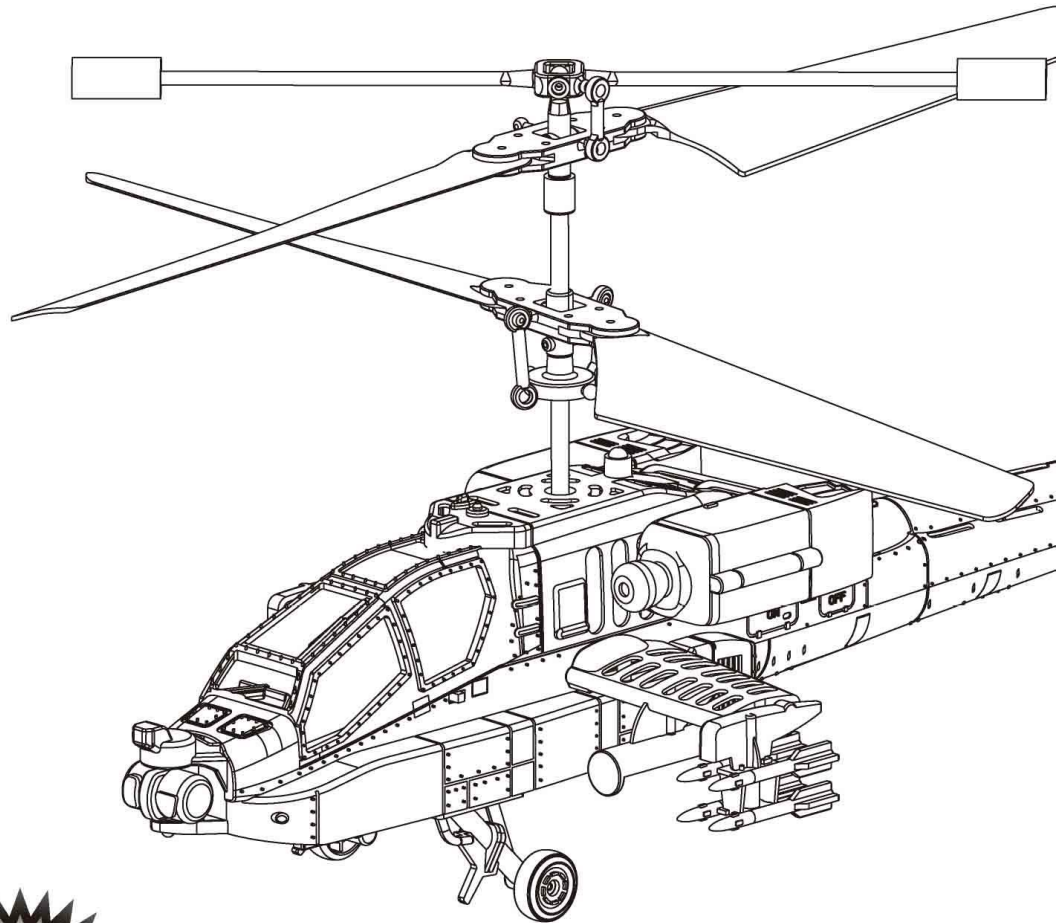
AGE 14+

R/C HELICOPTER USING INSTRUCTION

S023G

3.5-CHANNEL GYRO SYSTEM

REMOTE CONTROL HELICOPTER



To avoid copter's damage and player's injury, please read this instruction before flying!

Safety regulations

1. Placed in small parts of the reach of children, to avoid accidents.
2. The blades of this helicopter is used activities blades,don't screw up.
3. The helicopter was powerful, should be gradually pushed up the remote control shift lever on the left for first flight, to avoid the surge caused the helicopter crash damage.
4. Should be turn off the power of controller first then turn off the power of the helicopter when finished flight.
5. Do not place the battery in high temperature, heating place(e.g:fire or electric heating devices)
6. Note that when the helicopter to keep the user or other persons from 2-3 m to avoid the helicopter flight, landing crashed into another person's head, face and body and so on.
7. Children should control the helicopter by adults in the guidance and ensure the helicopter control in manipulator (or guides) line of sight range, easy to control.
8. Non-rechargeable battery is not charging,installation the lithium battery, please note that the battery polarity. Do not mix old batteries and new batteries or different type batteries.
9. Should be turn off the power of the controller and helicopter when not in use.
10. Power terminal is not allow short circuiting.

Ready to fly

1. Please recheck the ground, keep away from the crowds, animals and other barriers.
2. Turn the remote control on, after a while, the LEDs will be flashing. Push the motive handle must be pushed to the maximum control route of travel first, then adjust it to the lowest; When the remote control LEDs keep lighting, it means the helicopter is going to fly.
3. Move Power Switch on the helicopter the the "ON"position, after that, the power indicator will light up; Place the helicopter on the ground for some seconds,then the helicopter is going to fly.
4. Push the motive handle slowly, then the helicopter will fly up.

Low volatage protection

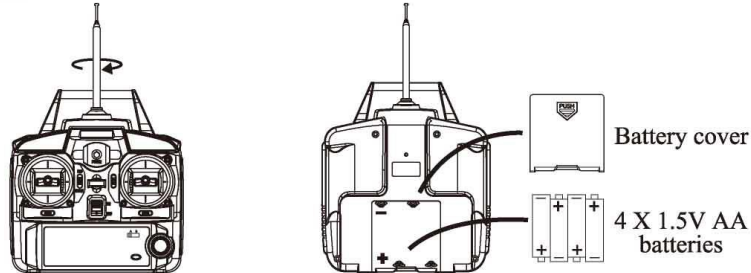
Low volatage protection: When the helicopter power is weak, helicopter control system will protect the battery and the power supply to the helicopter blades will be stopped.
After low volatage protection, it can fly again if the helicopter charged.

Maintenance

1. Cleaning the helicopter with clean and soft cloth.
2. Don't put the helicopter under the direct sun or strong lighting
3. Don't soak the toys in the water, or the electronic parts will be destructed.
4. Regularly check the plug and other spare parts, if find some parts broken, please stopping using till the product in good condition.

Assembly transmitter & helicopter charging

Assembly transmitter

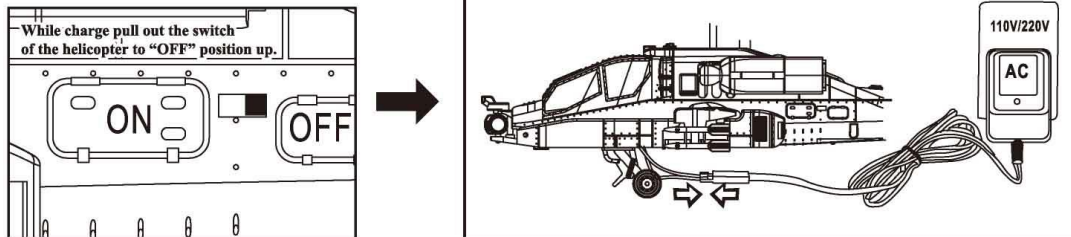


1. Install antenna: Install the antenna in the transmitter by turning it clockwise until finger tight.
2. Install batteries: Open the cover of battery case, insert 4 batteries (size 1.5V AA) properly followed by polar indicator. (batteries to be purchased)



1. Install batteries carefully.
2. Do not mix old and new batteries.
3. Do not mix different types of batteries.

Battery-Helicopter



Always turn off the helicopter power, connect the charge plug of the charger to the charge slot on the helicopter, then insert the charger into the power jack. When charging, charger LED lights from green to red said recharging; When LED lights from red to green, indicating charging finish.

Charging time :can be 60 minutes flying about 6~7 minutes.

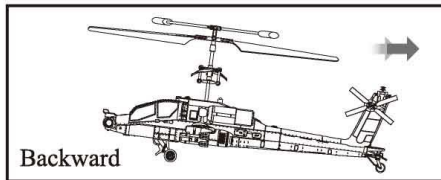
- Helicopter is equipped with a Li-Poly battery, please also pay attention to the following cautions or safety use.
- Do not use or leave the battery near a heat source such as fire or heater. Otherwise it will cause damage or explode.
- Do not use the battery slam or beating hard surface.
- Do not immerse the battery in water, and keep the battery in a cool dry place.
- Charger included with the product can only be used for the product charge.
- Do not disassemble the battery.
- Never leave the battery unattended during charging.

Helicopter control ways



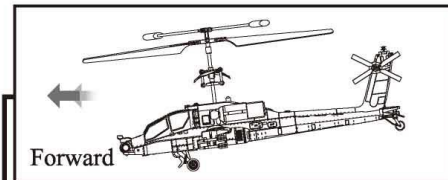
Turn left

Push the rudder stick toward left to turn counter clockwise.



Backward

When you push down the right control lever (steering rudder), the nose incline to up, the helicopter is moving to backward.



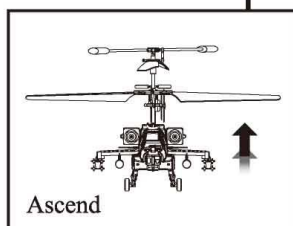
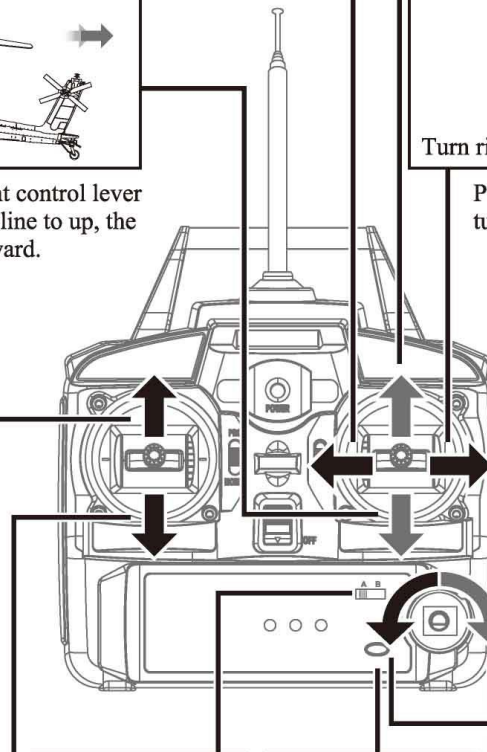
Forward

When you push up the right control lever (steering rudder), the nose incline to down, the helicopter is moving to forward.



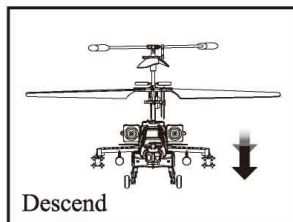
Turn right

Push the rudder stick toward right to turn clockwise.



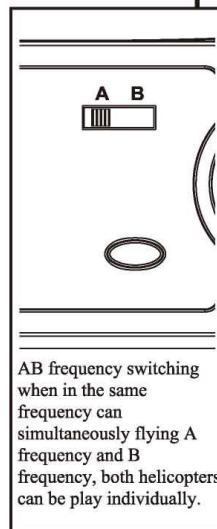
Ascend

When you push up the left stick (throttle) the speed of the main rotor blade will increase and the helicopter will go up.



Descend

When you pull down the left stick (throttle) the speed of the main rotor blade will decrease and the helicopter will go down.



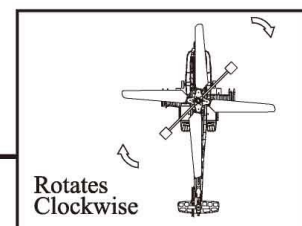
AB frequency switching when in the same frequency can simultaneously flying A frequency and B frequency, both helicopters can be play individually.



Toggle button

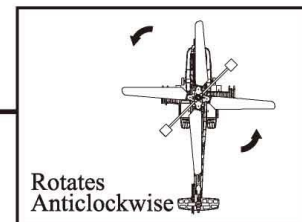
The helicopter has two flight modes, for beginner and for Master-hand:

1. Beginner mode (Factory default state)
2. Master-hand mode
Once press the switch which is on the right bottom of the remote control, then the helicopter will change into the Master-hand mode.



Rotates Clockwise

When the helicopter tail presents the clockwise rotation, you may the counterclockwise rotation you in the hand the remote control vernier adjustment knob until balanced.



Rotates Anticlockwise

When the helicopter tail presents the counterclockwise rotation, you may the clockwise rotation you in the hand the remote control vernier adjustment knob until balanced.





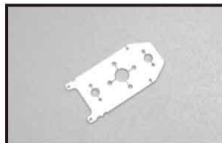


The tail fin aim at the operator.

Maintenance program

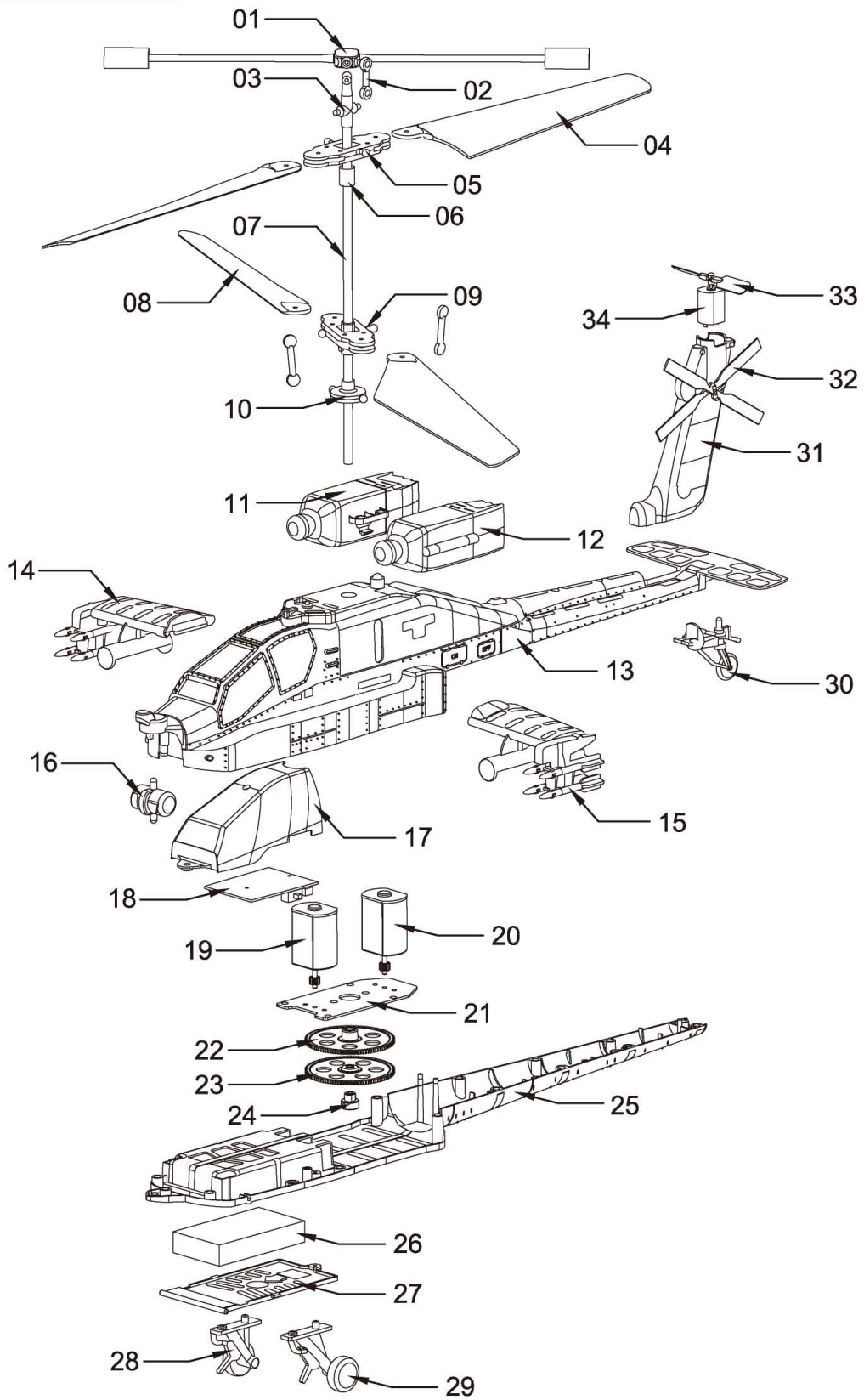
Problem	Cause	Check this
No reaction from the helicopter	<ol style="list-style-type: none"> 1. Not enough power for the helicopter. 2. Not enough power for the controller. 3. The channel was different from helicopter and the controller. 4. The gyro of the helicopter can't find out the right point. 	<ol style="list-style-type: none"> 1. Should be charging for the helicopter. 2. Change new batteries instead. 3. Make sure the same channel from helicopter and the controller. 4. Move the helicopter onto the flat ground, when the gyro receive the signal, then open the controller.
Not reaction from the helicopter when was fly	<ol style="list-style-type: none"> 1. By sunlight or intense light irradiation effects. 2. Have the same frequency remote control transmitter. 	<ol style="list-style-type: none"> 1. Move the helicopter onto without sunlight or intense light. 2. Not the same for a launch interference.

Spare parts list

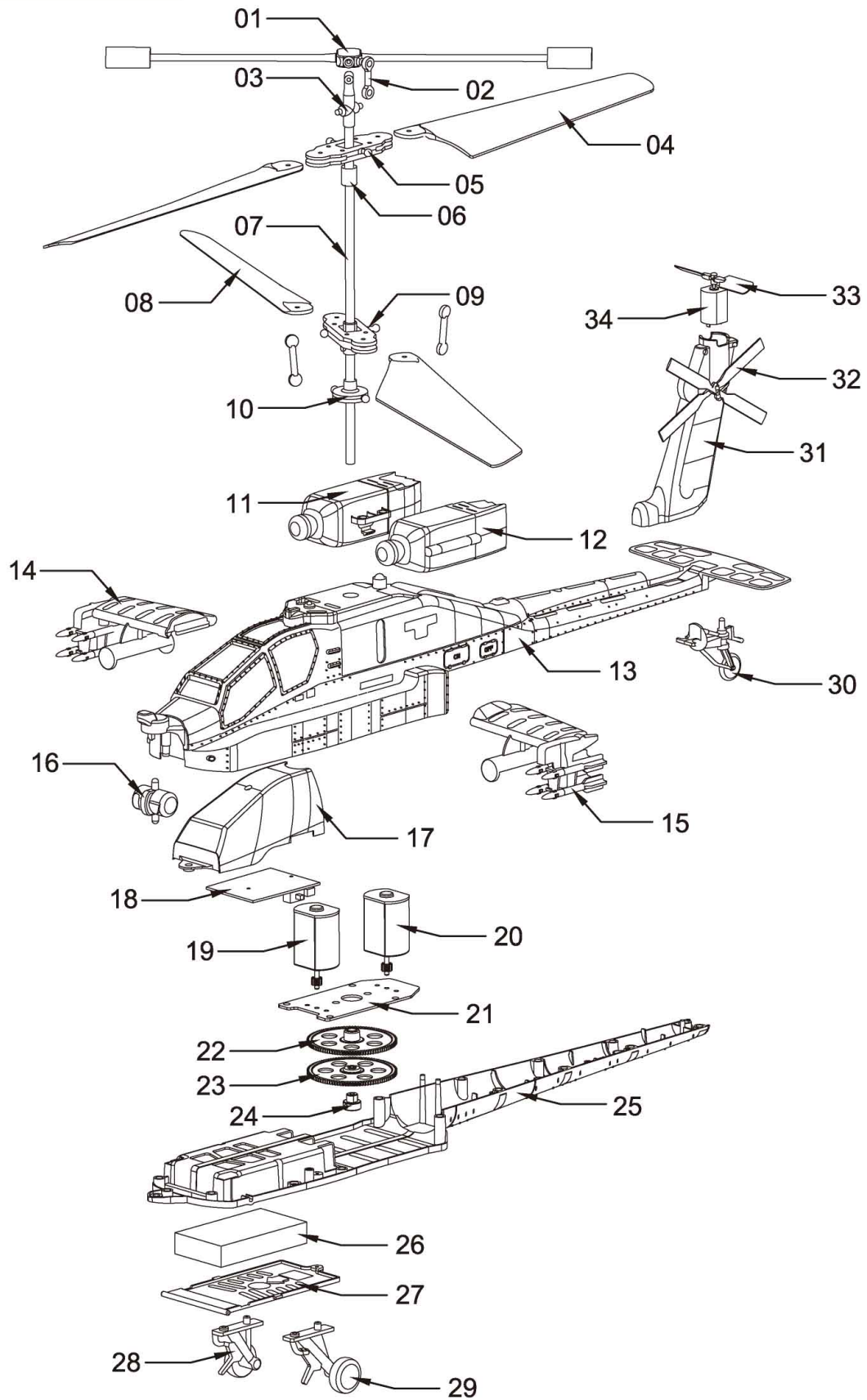
Order by item number from local distributors.

				
S023G-01 Aircraft main body	S023G-02 Tail main body	S023G-03 Battery cover	S023G-04 Aircraft window	S023G-05 Main blades
				
S023G-06 Tail blade	S023G-07 Top blade grip set	S023G-08 Partial main blade grip set	S023G-09 Upper blade connect buckle	S023G-10 Lower blade connect buckle
				
S023G-11 Lower blade lock connect buckle	S023G-12 Balance bar	S023G-13 Decorate blade	S023G-14 Wheet decoration	S023G-15 Flashing body circuit
				
S023G-16 Gear A	S023G-17 Gear B	S023G-18 Metal frame set	S023G-19 Main shaft	S023G-20 Tail motor set
				
S023G-21 Motor A	S023G-22 Motor B	S023G-23 Li-Poly battery	S023G-24 Circuit board	

Graphic detail



Graphic detail



Ltem Number	Description	Qty Need	Ltem Number	Description	Qty Need
01	Balance bar		32	Tail decoration	
02	Connect buckle		33	Tail blade	
03	Inner shaft		34	Tail motor	
04	Upper blades				
05	Upper blades grip set				
06	Bearing set				
07	Stainless steel				
08	Lower blades				
09	Lower blades grip set				
10	Limit decoration				
11	Right engine				
12	Left engine				
13	Upper main body				
14	Right wing				
15	Left wing				
16	Searchlight				
17	Windows				
18	Circuit				
19	Upper blades motor				
20	Down blades motor				
21	Main frame aluminium				
22	Down blades gear				
23	Upper blades gear				
24	Gear limit set				
25	Down main body				
26	Battery				
27	Battery case				
28	Right nose wheel				
29	Left nose wheel				
30	Back wheel				
31	Tail main body				